

URGENT

IMPORTANT FIELD SAFETY NOTIFICATION

Subject: Potential for the iViewGT™ and XVI detector arms to extend due to gravity

Product: Digital Accelerator

Scope: All Digital Accelerators with XVI or iViewGT™

Notification Released: December 2017

Description of Problem:

Elekta has identified that if the microswitch within the middle arm is not set up correctly, it is possible for the MV or kV detector arm to extend due to gravity.

When the detector arm is fully open there is no risk.

Details:

In order for an uncontrolled extension to occur on a detector arm, the following conditions must be present:

- The microswitch (within the Solenoid Limit Switch of the PCB assembly in the middle arm) is activated incorrectly.
- The detector-locked solenoid is not fully engaged in the interface bracket.

This is most likely to lead to a potential collision in the following scenarios:

iViewGT™

The detector arm is opened or closed above the patient, when the gantry angle is at 180° ($\pm 45^\circ$).

See Figure 1.

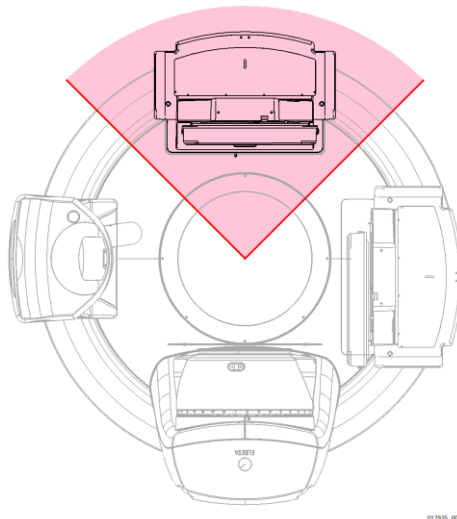


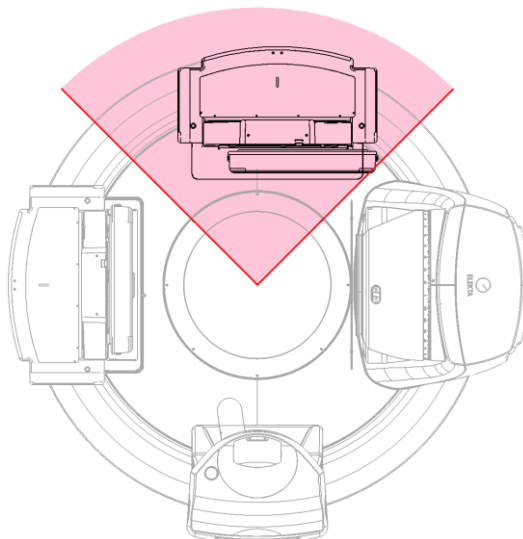
Figure 1 – Not recommended open and close positions of the MV detector arm

URGENT IMPORTANT FIELD SAFETY NOTIFICATION

XVI

The detector arm is opened or closed above the patient, when the gantry angle is at $90^\circ (\pm 45^\circ)$.

See Figure 2.



017936_001

Figure 2 – Not recommended open or close position of the kV detector arm.

Clinical Impact:

It is possible that a collision with the extended detector arm can cause serious injury.

Recommended User Action:

Elekta recommends that the user does not open or close the detector arm when it is positioned above the patient, as specified in the Instructions For Use (IFU).

URGENT IMPORTANT FIELD SAFETY NOTIFICATION

This document contains important information for the continued safe and proper use of your equipment.

- Please post this notice in a place accessible to all users, e.g. Instructions for Use, until this action is closed.
- Advise the appropriate personnel working with this product the content of this letter

Elekta Corrective Actions:

Elekta Field Service Representatives will do checks to make sure that that the microswitch activates only when the detector-locked solenoid is fully engaged in the interface bracket.

If you have any concerns, contact your Elekta Field Service Representatives who are aware of how to do these checks.

This notice has been provided to the appropriate Regulatory Authorities.

We sincerely apologize for any inconvenience this action may cause and thank you in advance for your cooperation.

URGENT IMPORTANT FIELD SAFETY NOTIFICATION

Acknowledgement Form

In order to meet regulatory requirements, you are required to complete this form and return it to Elekta immediately upon receipt but no later than 30 days.

Classification: Important Field Safety Notification	FCO Reference Number: 200-01-103-082
Description: Potential for the iViewGT™ and XVI detector arms to extend due to gravity	

Hospital:	
Device Serial No(s): (if applicable)	Location or Site:

I acknowledge that I have read and understood this Notice and accept implementation of any given recommendations.	
Name:	Title:
Customer Signature:	Date:

New installation confirmation to be signed by the installing Elekta engineer or Representative employee when the installed product has a physical IFU/manual:	
I acknowledge that the customer is informed on the content of this notice and that it has been inserted into the applicable copy of the User Manual or added to the record with the applicable User Manual:	
Name:	Title:
Signature:	Date: